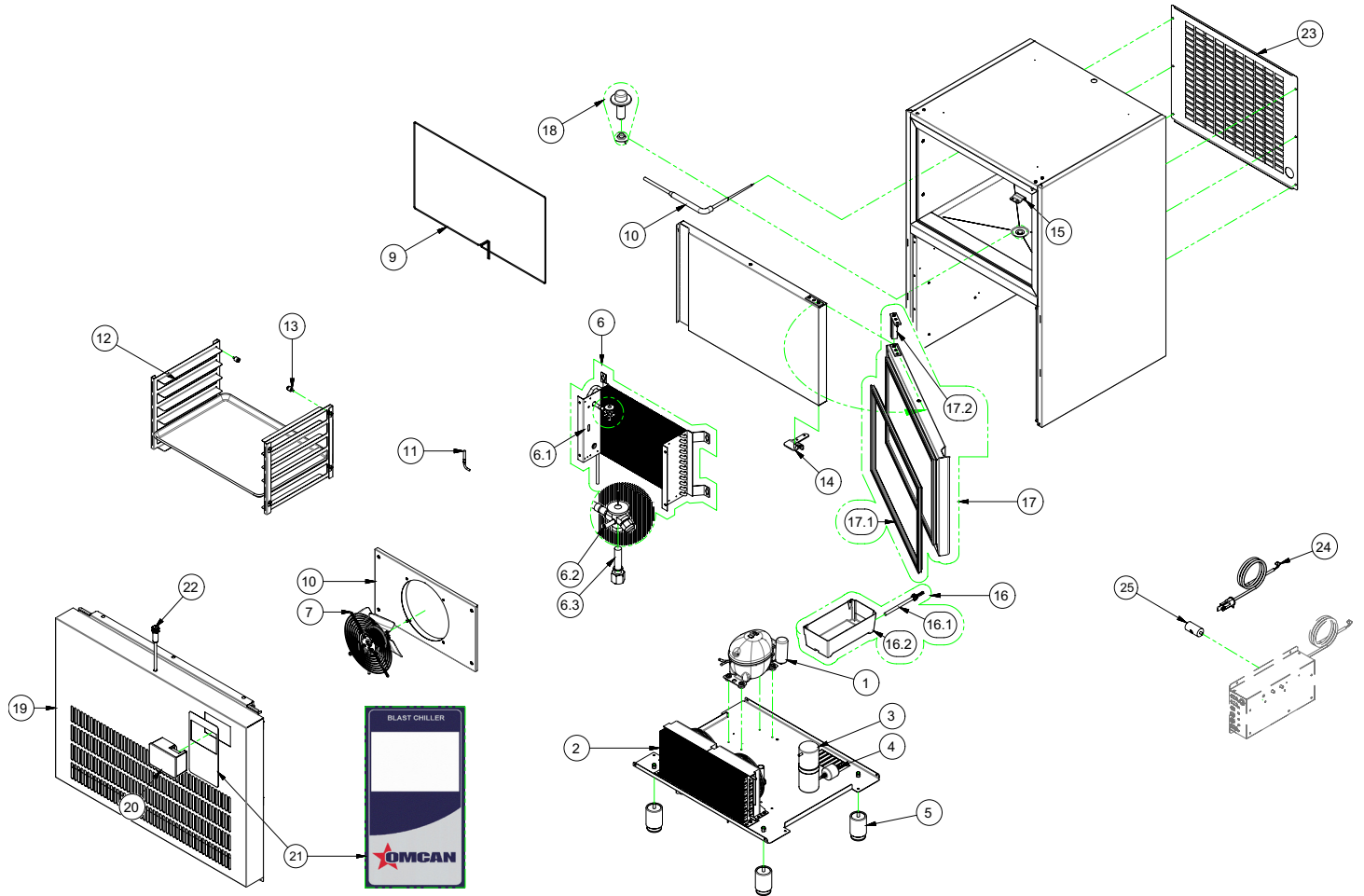


Parts Breakdown

Model BC-IT-0906-T 46673



Parts Breakdown

Model BC-IT-0906-T 46673

Item No.	Description	Position	Item No.	Description	Position	Item No.	Description	Position
42098	Compressor ASP NJ2192GK R404A for 46673	1	42114	Frame Heating Element AB06T 15W/M for 46673	9	42096	Door Magnet Gasket AB-E4-06 for 46673	17.1
AD103	Condenser for 46673	2	42110	Core Probe PTC 1000 L=3000 Gray for 46673	10	42094	Door Pivot Hinge 28L S/F-13 for 46673	17.2
AD104	Liquid Receiver for 46673	3	42109	Chamber Probe PTC L=2500 Green for 46673	11	AD100	Assembled Blast Chiller Cap for 46673	18
42103	Filter 50x6mm for 46673	4	AD106	Grid Stead for 46673	12	AD107	Dashboard for 46673	19
AD092	Adjustable Foot for 46673	5	AD097	Pin for Grid Stead for 46673	13	AD085	Electronic Card EVJ815P9PX3 for 46673	20
AD105	Evaporating Unit for 46673	6	42118	Right Inferior Hinge for 46673	14	AD086	Adhesive Mask Omcan for 46673	21
42100	Evaporator AB-05 for 46673	6.1	42116	Right Superior Hinge for 46673	15	AD087	Magnetic Microswitch for 46673	22
AD094	Thermostatic Valve for 46673	6.2	42120	Evaporation Water Tank 190W L=1500 for 46673	16	AD108	Rear Cover for 46673	23
42102	Conic Orifice 01 for 46673	6.3	AD098	PTC Resistance 190W for 46673	16.1	AD090	Power Supply Cable for 46673	24
42111	ZHIEL Fan AB D=300 + 2COND for 46673	7	AD099	Evaporating Bowl for 46673	16.2	42113	Electric Condenser 2MF for 46673	25
AD095	Conveyor for 46673	8	42119	Foamed Door AB ECO-E4-06 DX for 46673	17			